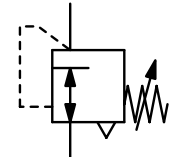


Description	The diaphragm pressure regulator provides precision regulation in high flow applications. A balanced inner valve, sensitive rolling diaphragm and carefully positioned aspirator tube ensure constant outlet pressure even with changing supply pressure and flow fluctuations.	
Media	compressed air or non-corrosive gases	
Supply pressure	max. 35 bar	
Accuracy	response sensitivity: < 2 mbar	
Air consumption	max. 6 l/min, subject to outlet pressure	
Adjustment	by handwheel with locknut	
Relieving function	relieving, optionally non-relieving	
Relief capacity	150 l/min at 1.5 bar outlet and 0.35 bar overpressure above setpoint	
Gauge port	G $\frac{1}{4}$ on both sides of the body, optionally $\frac{1}{4}$ " NPT	
Temperature range	0 °C to 90 °C / 32 °F to 194 °F, for appropriately conditioned compressed air down to -40 °C / -40 °F	
Material	Body: aluminium die-cast	Inner valve: brass, galvanized steel
	Elastomer: NBR/Buna-N, optionally FKM	



**G $\frac{1}{4}$ up to G $\frac{1}{2}$, 1000 l/min
10 ... 140 mbar / 28 bar**

Dimensions			K _v -value (m ³ /h)	Flow rate m ³ /h*1 l/min*1	Connection thread G	Pressure range bar	Order number
A	B	C					

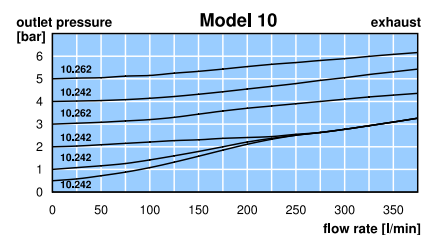
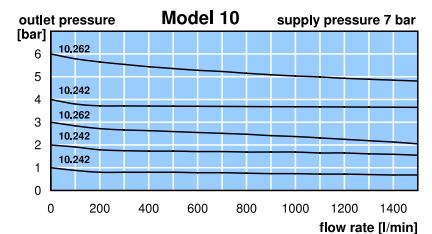
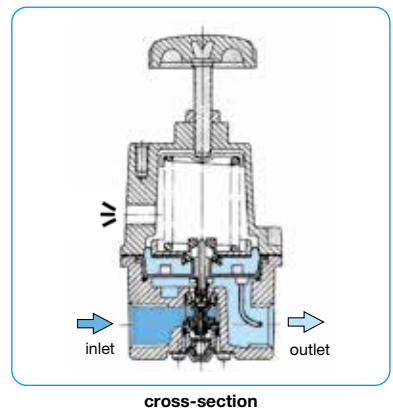
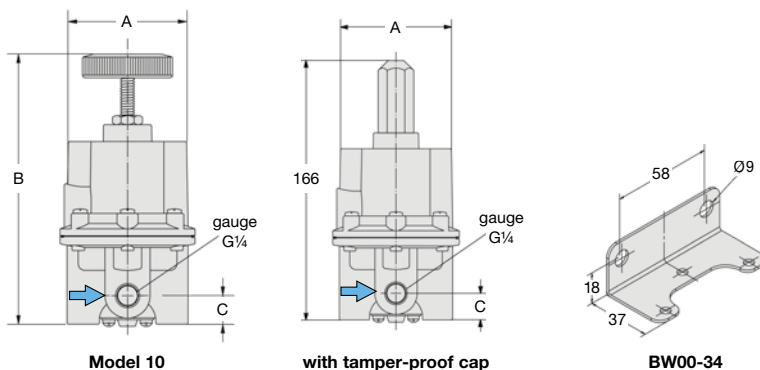
Precision pressure regulator							supply pressure max. 35 bar, relieving, with constant bleed	Model 10
67	169	26	0.64	60	1000	G $\frac{1}{4}$	0.01 ... 0.14	10212H
							0.01 ... 0.7	10222H
							0.01 ... 1.4	10202H
							0.01 ... 2.1	10232H
							0.07 ... 4.1	10242H
							0.14 ... 10	10262H
							0.20 ... 14	10272H
67	178	26	0.64	60	1000	G $\frac{1}{4}$	0.30 ... 21	10282H
							0.30 ... 28	10292H

Special options, add the appropriate letter

G$\frac{3}{8}$	connection thread	102.3H
G$\frac{1}{2}$	connection thread, recommended for mbar range	102.4H
NPT	connection thread	102.2
non-relieving	and without constant bleed	102.2.N
reduced bleeding	approx. 2 l/min	102.2.B
for small flow rate	high constant bleed for more sensitivity	102.2.L
tapped exhaust	G $\frac{1}{4}$ connection thread	102.2.E
FKM elastomer		102.2.J
tamper-proof cap	aluminium, adjustment by screwdriver, total height 166 mm	102.2.T
for oxygen	specially cleaned	102.2.SC
non-ferrous metal free	FKM elastomer	102.2.X63

Accessories, enclosed

pressure gauge	Ø 63 mm, 0 ... 160 mbar, G $\frac{1}{4}$, capsule type	MA6302-C2
pressure gauge	Ø 50 mm, 0 ... *2 bar, G $\frac{1}{4}$, Bourdon tube	MA5002-...*2
gauge connectors	for NPT ports, adapter $\frac{1}{4}$ " NPT - G $\frac{1}{4}$ female	VP-0202N
mounting bracket	made of steel	BW00-34



*1 at 7 bar supply pressure, 6 bar outlet pressure and 1 bar pressure drop
*2 01 = 0 ... 1 bar, 02 = 0 ... 2.5 bar, 06 = 0 ... 6 bar, 10 = 0 ... 10 bar, 16 = 0 ... 16 bar, 25 = 0 ... 25 bar, 60 = 0 ... 60 bar

Gauges: see chapter for measuring devices

PDF CAD
www.aircom.net

* Product group
Order example:
10212H